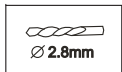
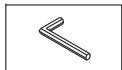
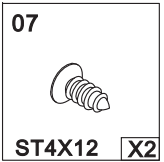
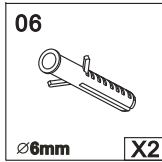
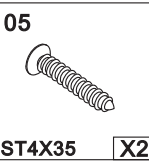
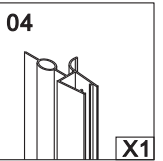
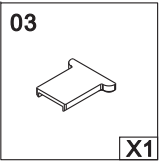
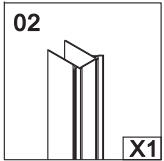
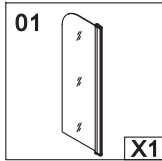
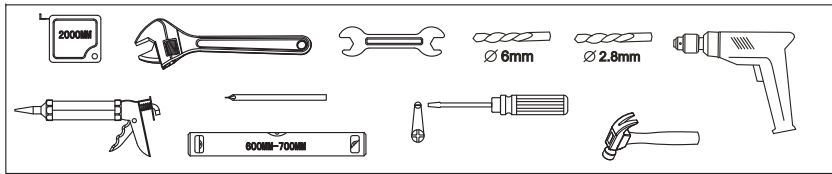
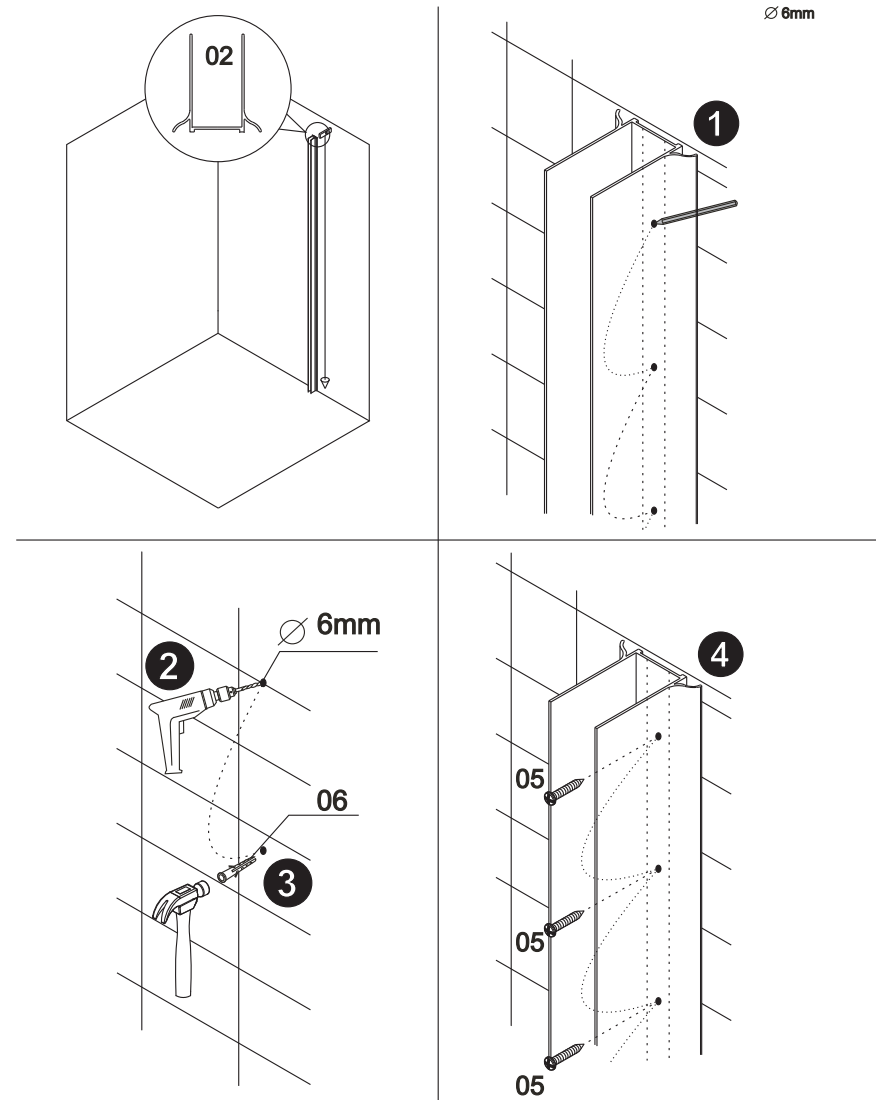
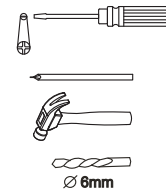
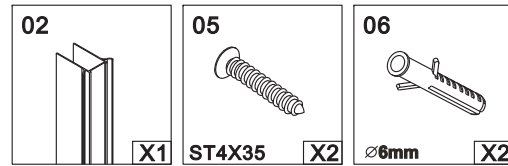
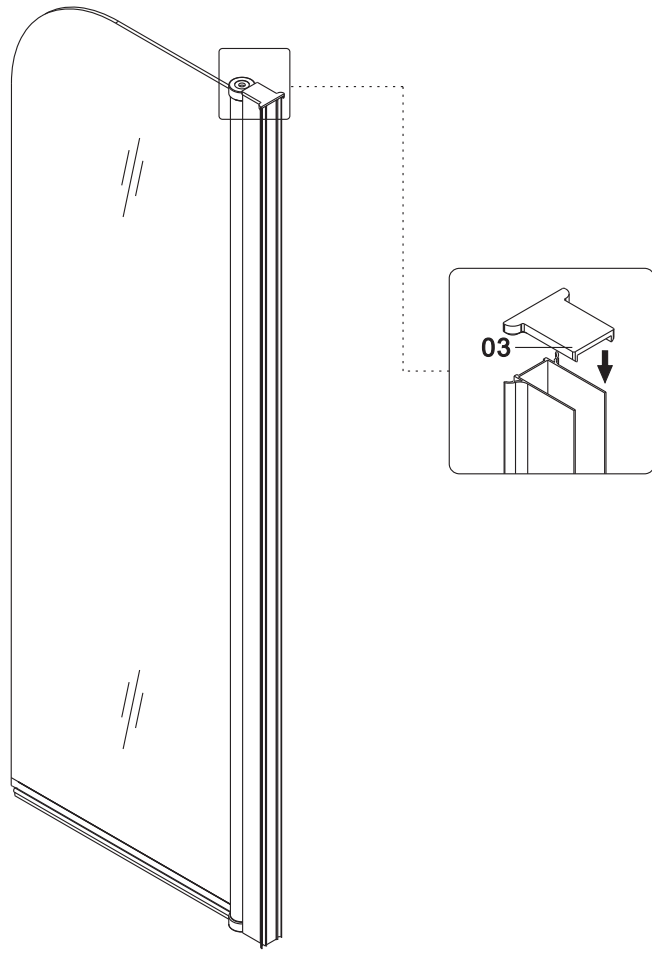
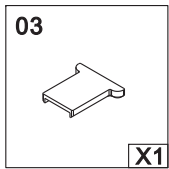
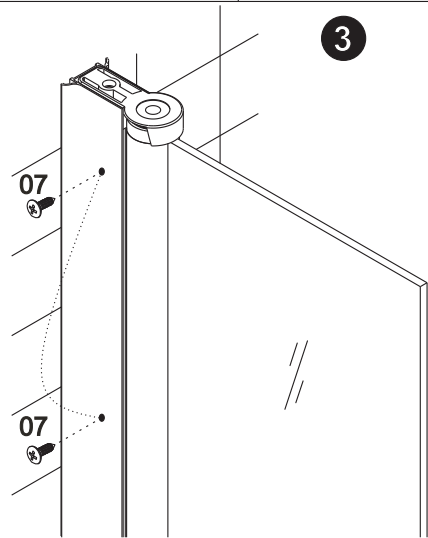
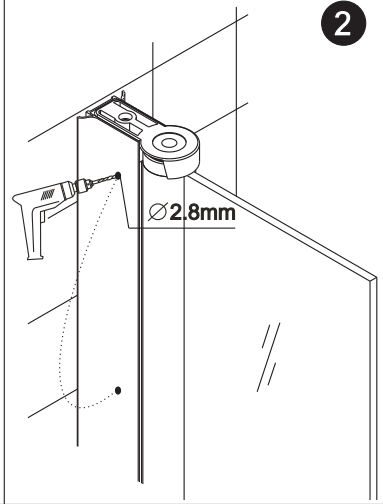
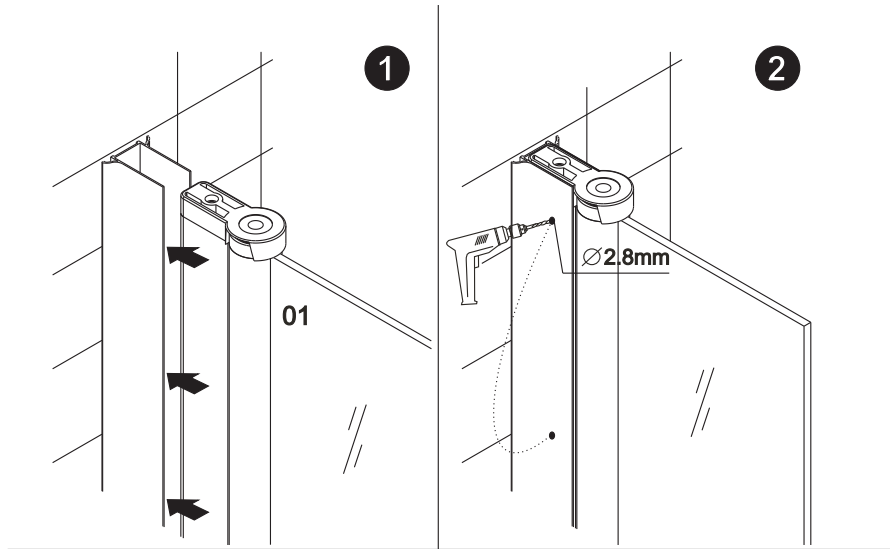
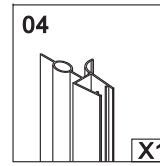
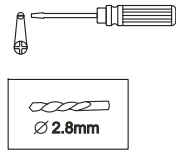
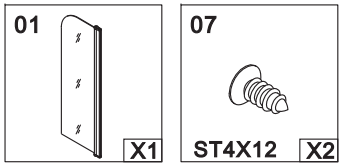


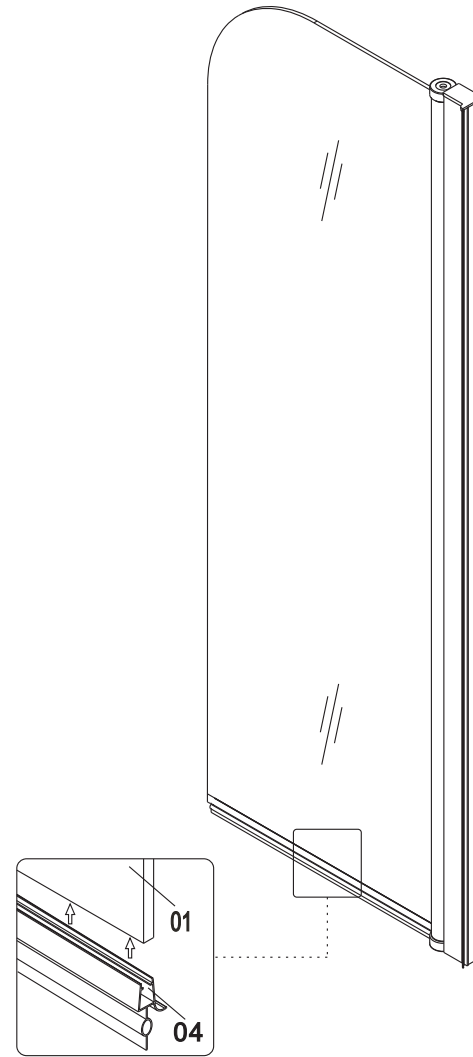
**PFR 31 / PFR 33**







- 3 -



- 4 -