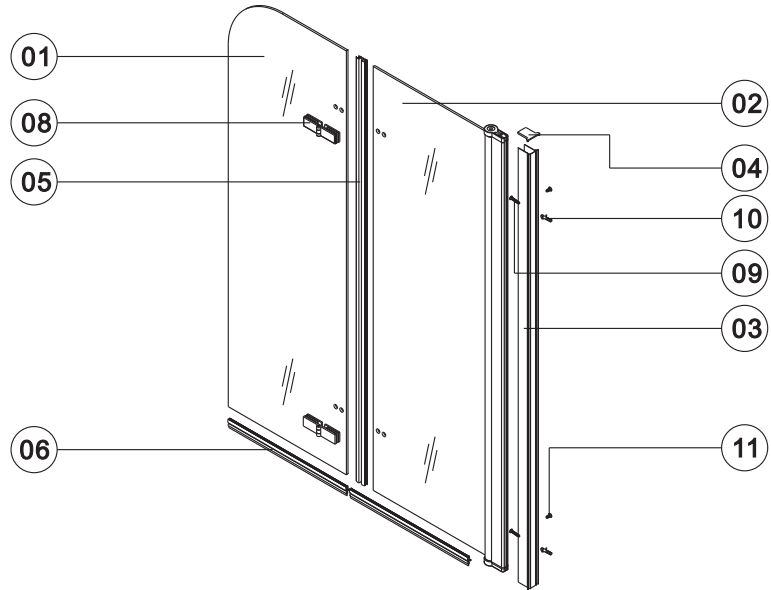
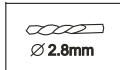
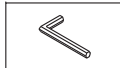
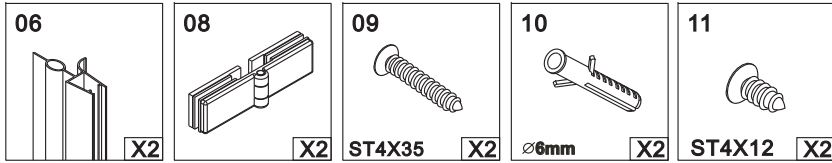
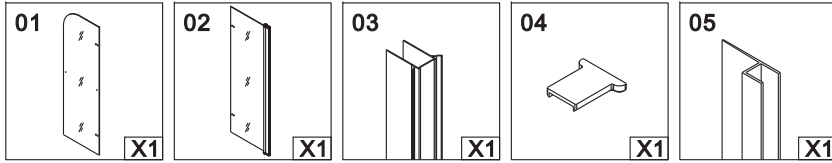
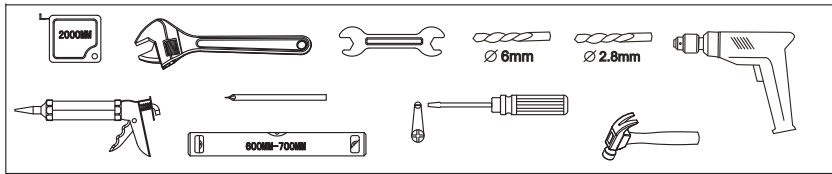
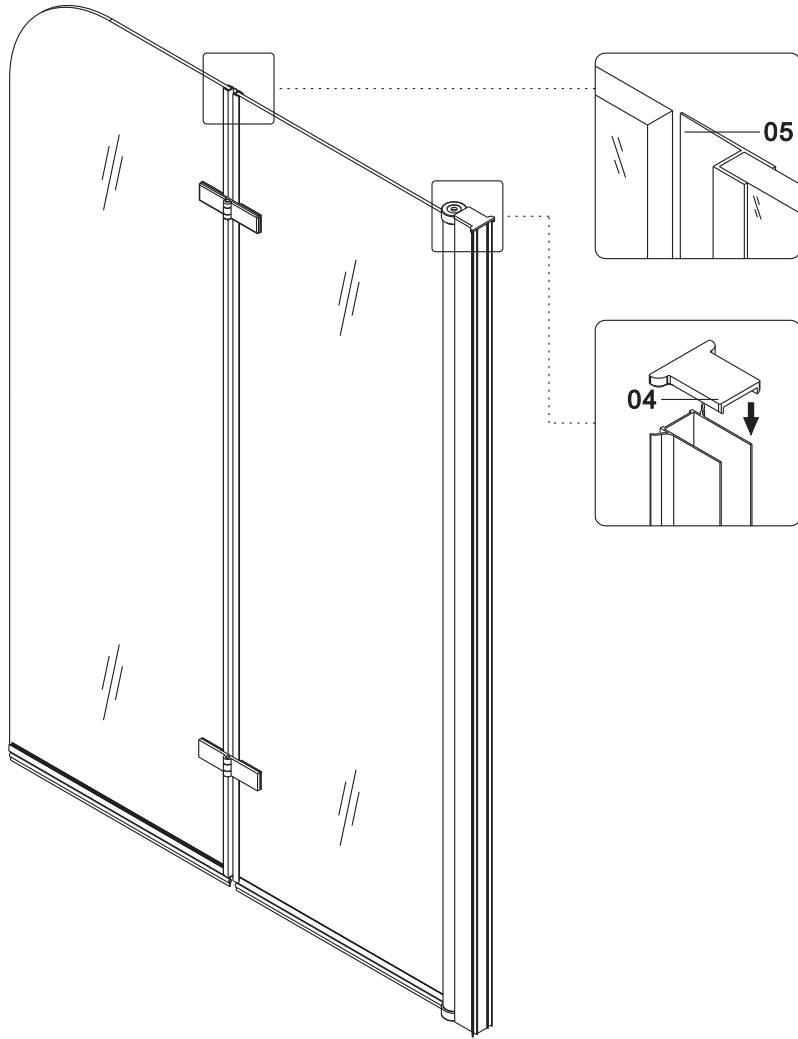
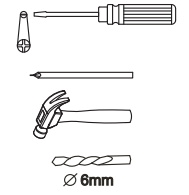
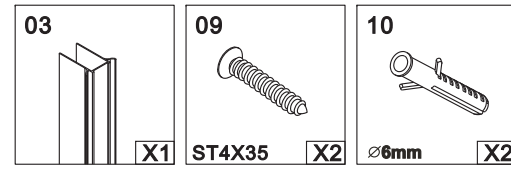
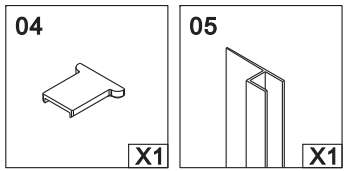
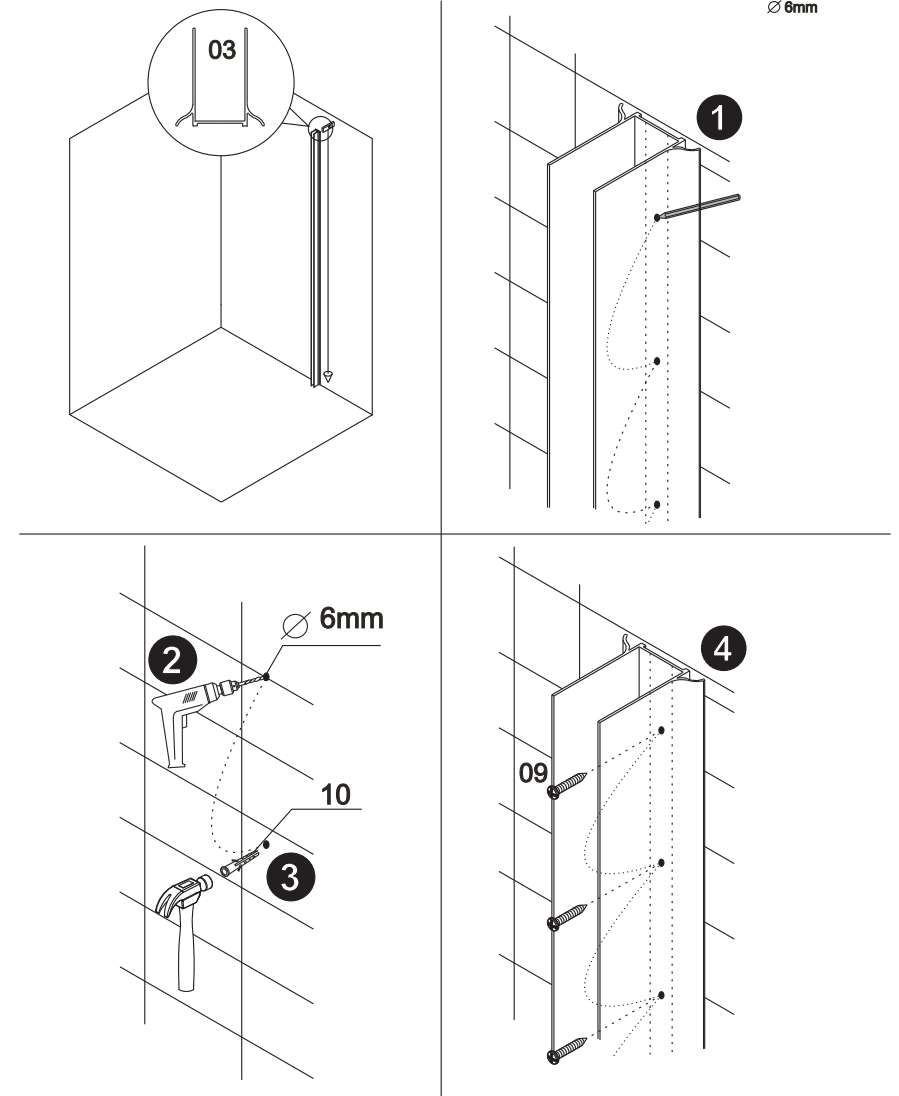


PFR 32 / PFR 34

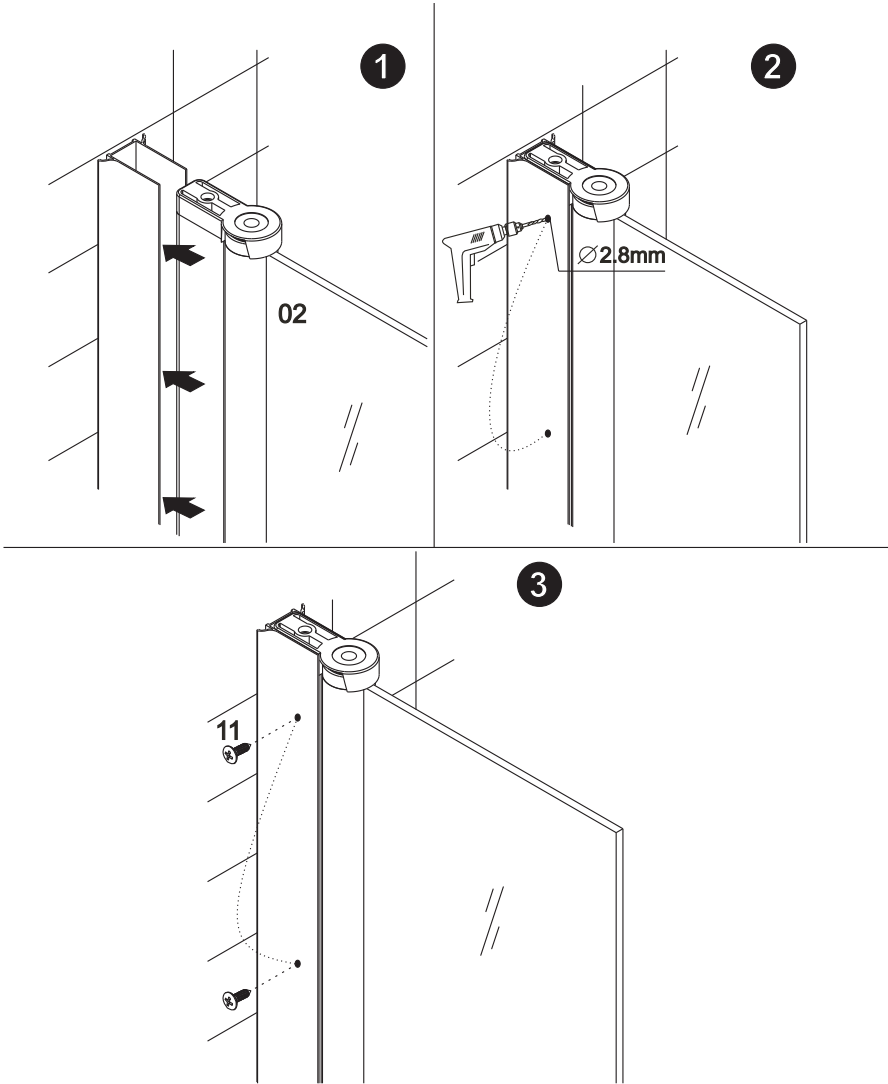
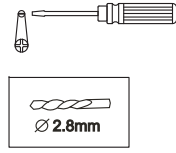
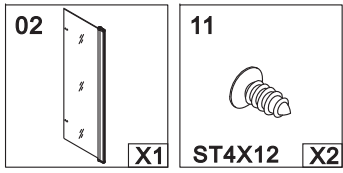




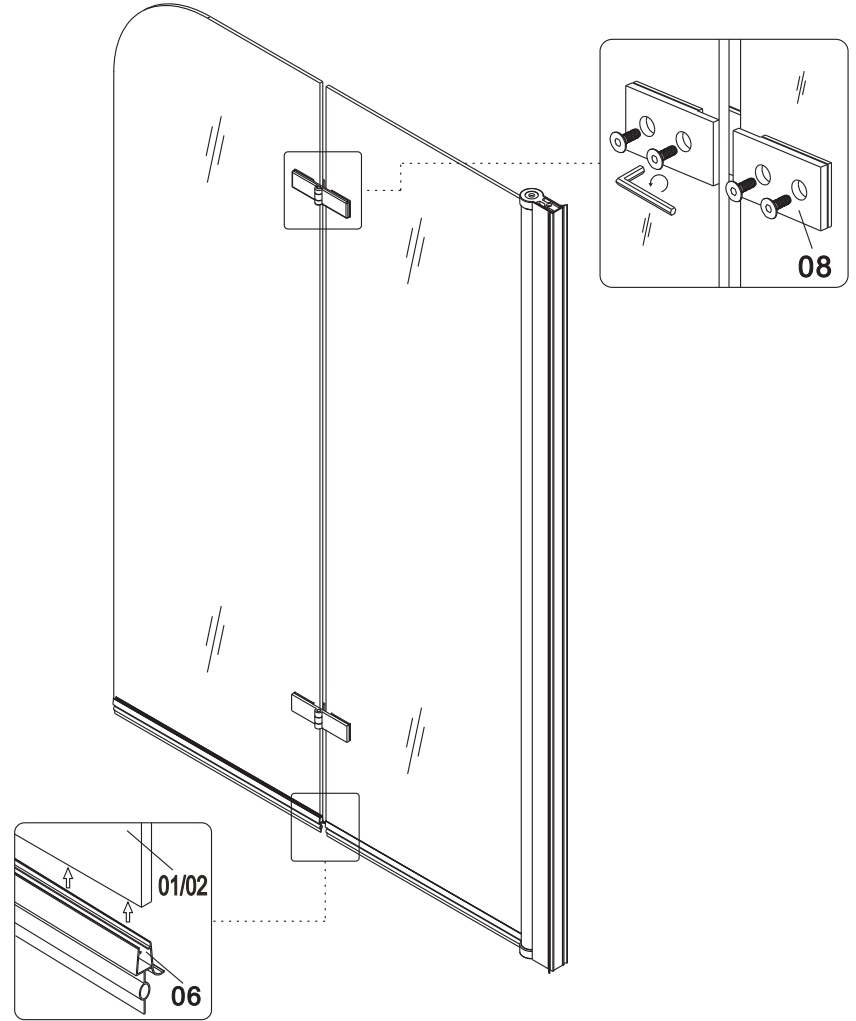
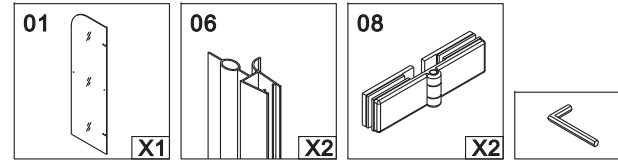
-5-



-2-



- 3 -



- 4 -