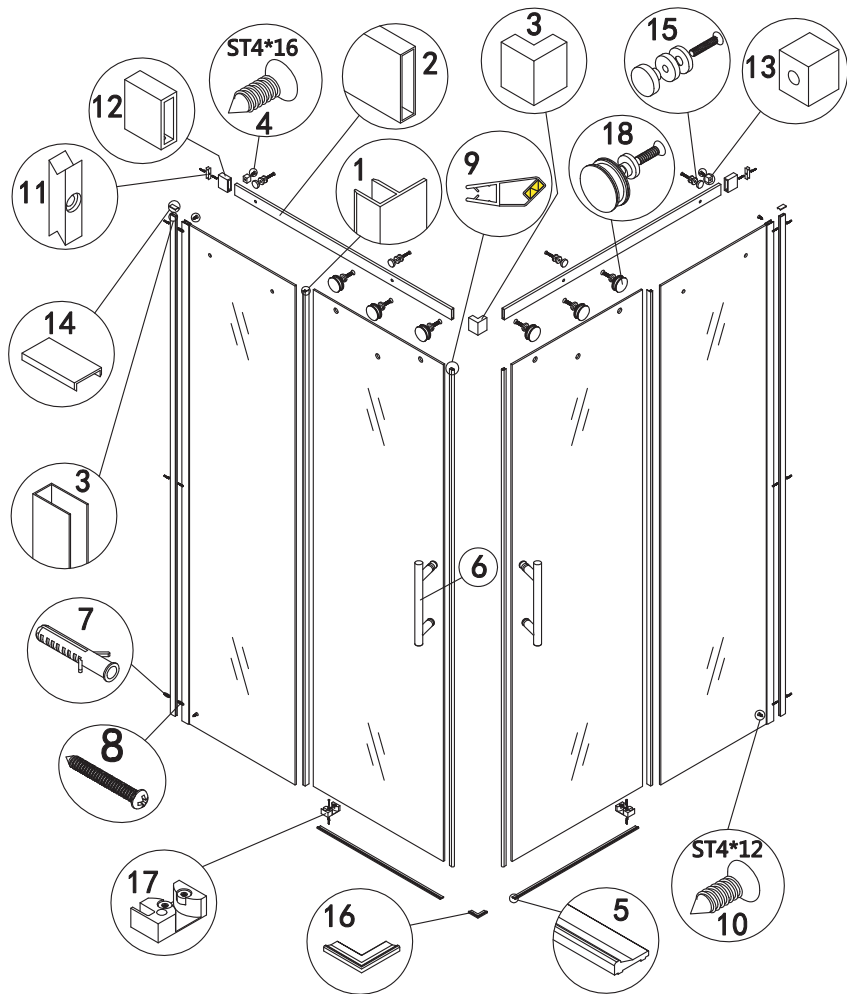
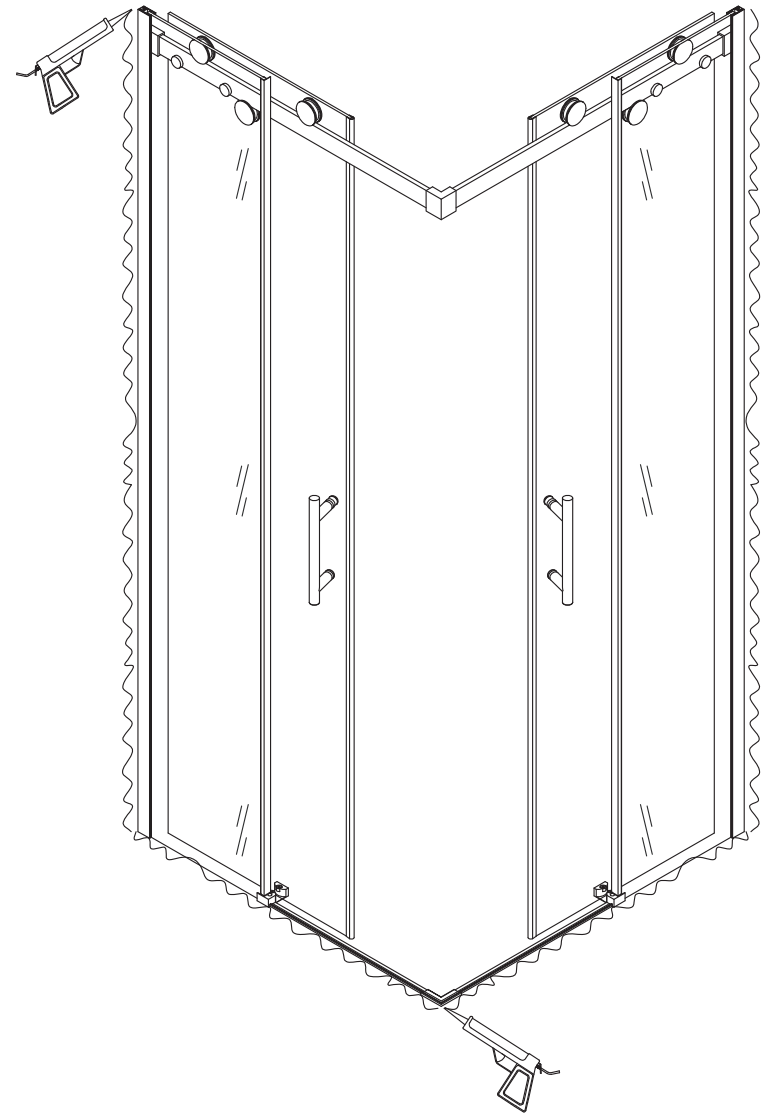


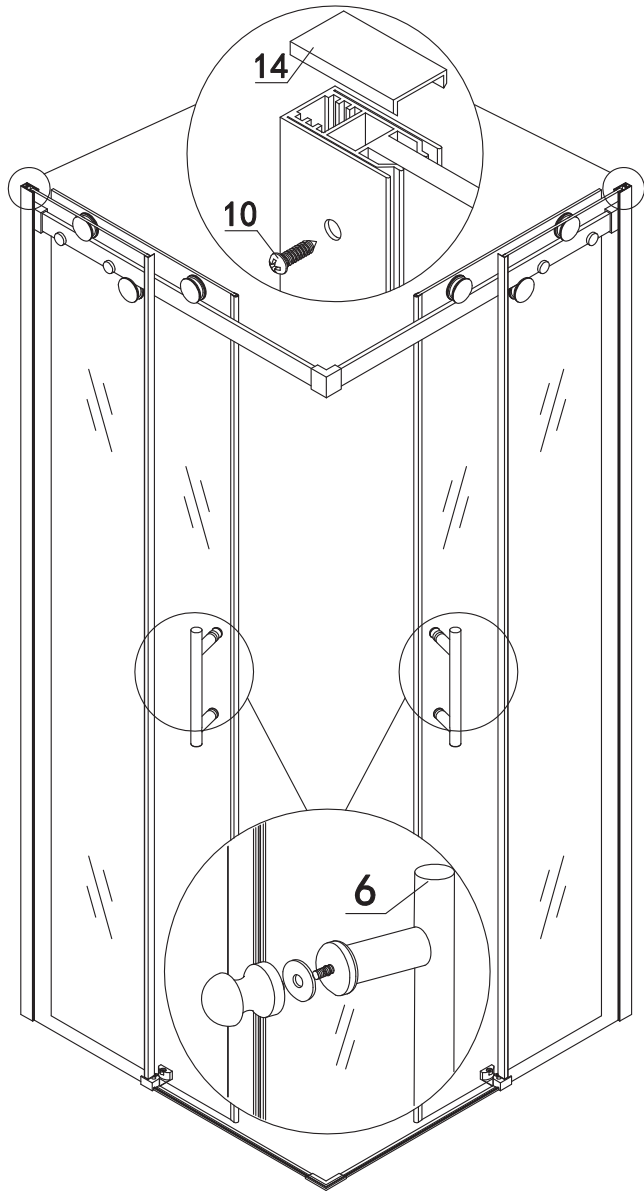
**PFR 35 / PFR 36 / PFR 37**  
**PFR 38 / PFR 39 / PFR 40**



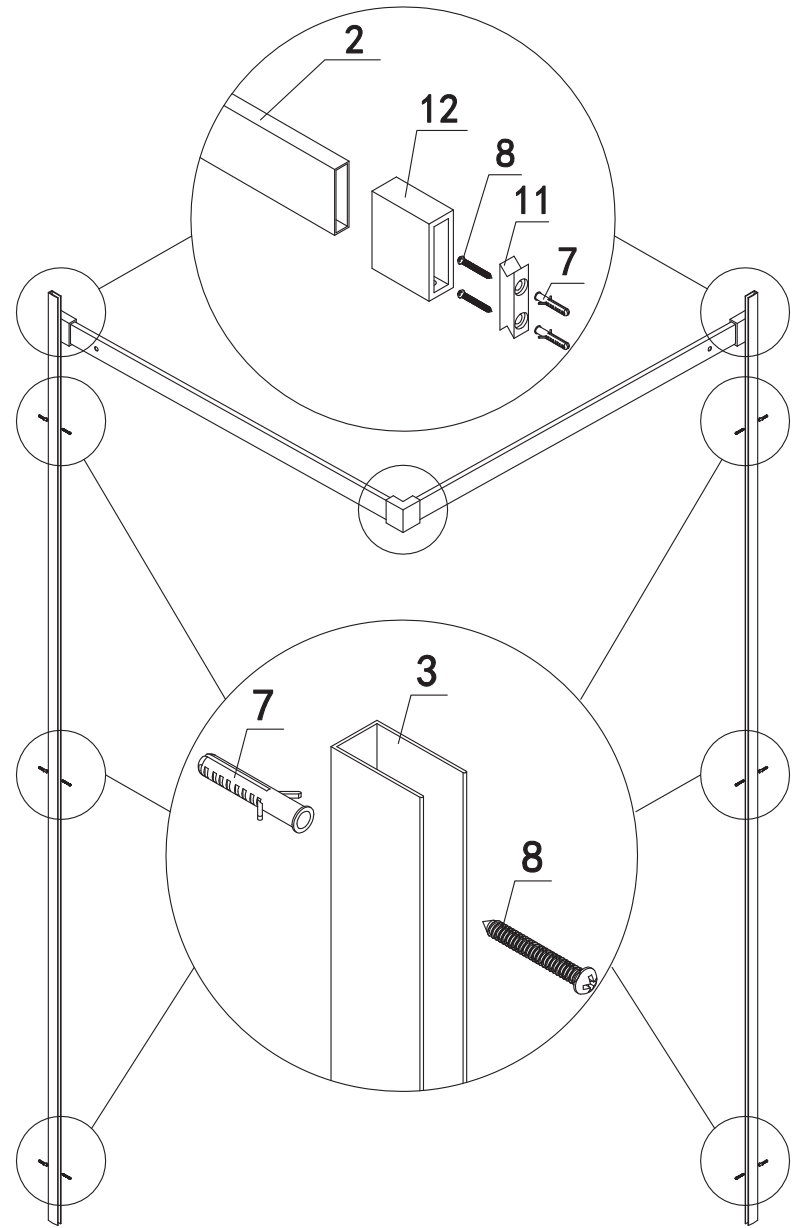
NO.	ITEM	QTY
1	F shape PVC wipes for fix glass	2
2	aluminum roller rail (rod)	2
3	Corner	1
4	S.S SCREW STX16	2
5	aluminum wipes for bottom	2
6	F Shape Zinc door handle	2
7	6# Expansion pipe	13
8	S.S SCREW STX30	13
9	Magnetic for door	2
10	S.S SCREW STX12	4

NO.	ITEM	QTY
11	Rod Shell (fix with the wall)	2
12	Rod shell	2
13	fix fitting(square)	2
14	cover	2
15	fix glass fitting	4
16	Corner	1
17	bottom LEFT/RIGHT FITTING	2
18	ROLLER	6

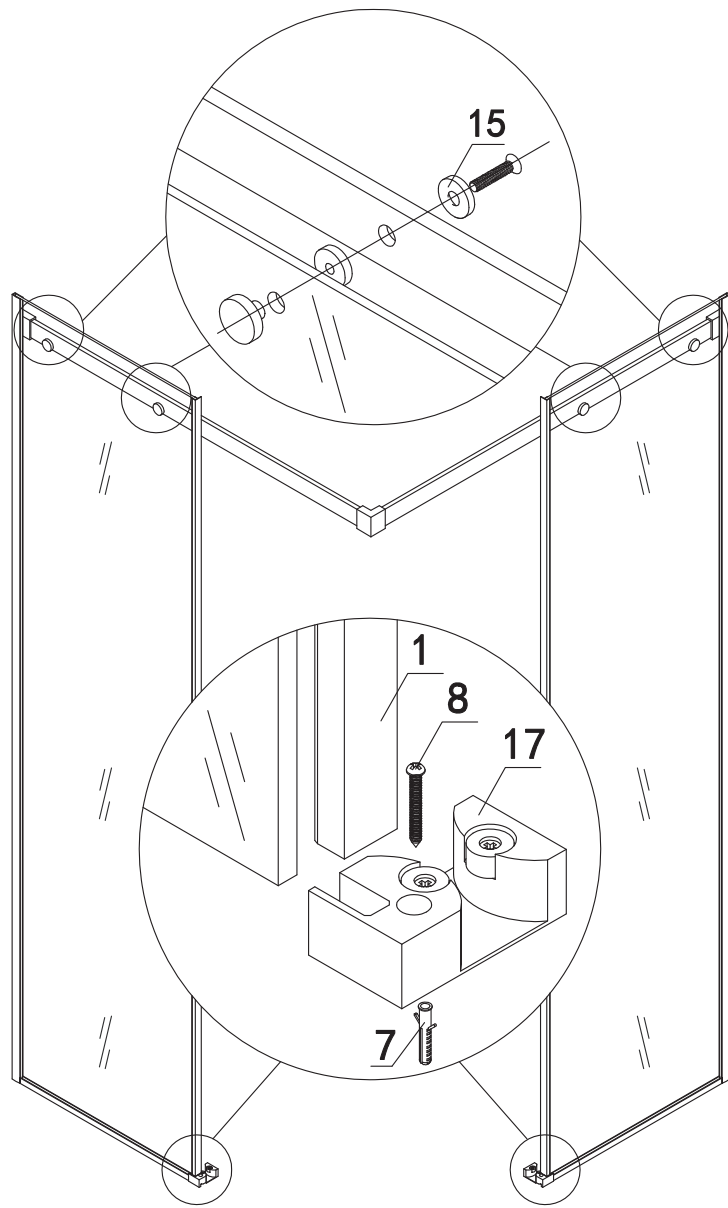




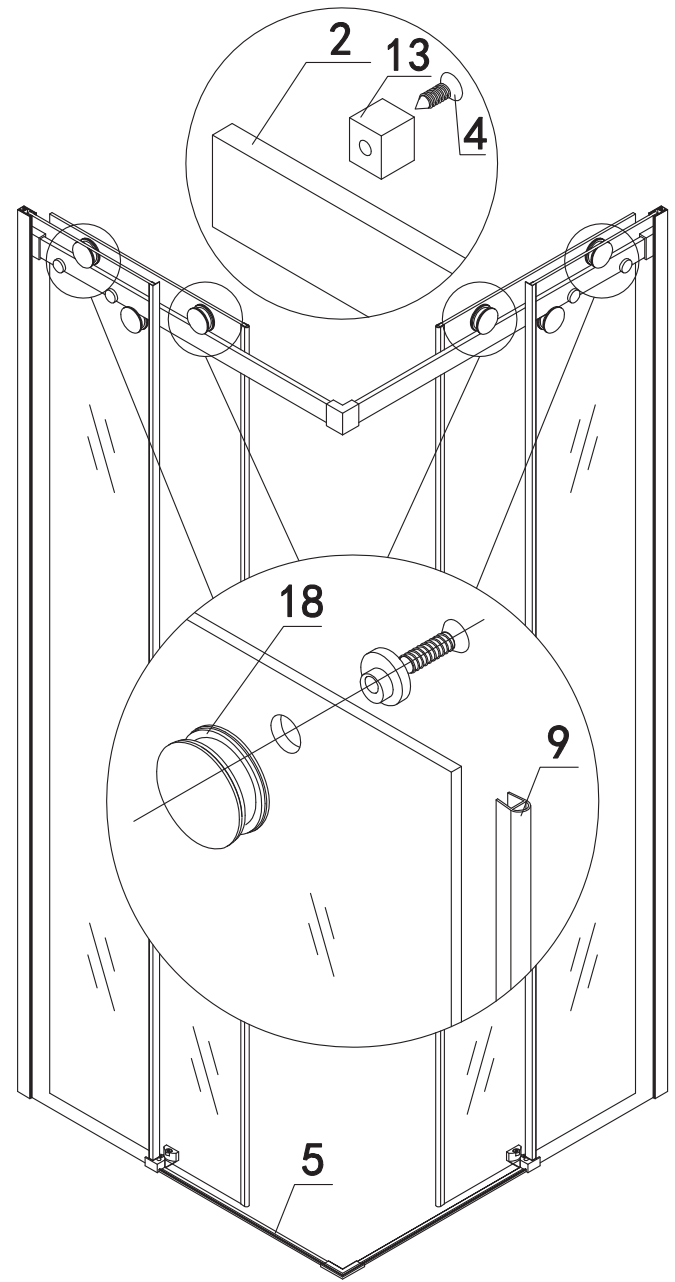
-5-



-2-



- 3 -



- 4 -